

Micro-Vane Series

ROTARY VANE ACTUATORS:

- Torque output of 1.4 in.lbs.
- 3 Standard rotations: 90, 180 & 270 degrees.

As compared to other rotary devices...Turn-Act vane actuators have:

- One moving part providing:
 - ZERO Backlash/no loss of motion.
 - Precise repeatability.
 - Continuous full torque throughout rotation.
- Patented Urethane seals for:
 - Long cycle life and Non-Lube service.
- Options and modifications to fit your application

Just imagine...How TURN-ACT Answer Engineering can work for you!

Teflon reg. DuPont. Rulon reg. Dixon, Div. of Furon



MICRO-VANE WITH SWITCHES



MICROVANE WITH FLANGE

TORQUE CHARTS³

SINGLE VANE (SV) 90°, 180° AND 270° ROTATIONS

psi	Actuator Model	in-lbs
100	Micro-Vane 10	1.4
80	Micro-Vane 10	1.12
60	Micro-Vane 10	0.84

PORTS

Ports	90° & 180°	270°
Side Port	#10-32 or M3	M3
End Ports	M3	M3

SPECIFICATIONS

Torque @100 psi1.4 in.lbs.
 Rotation (+5°)....90° 180° 270°
 Max. Air Pressure100psi
 Temp. Range40°F to 140°F

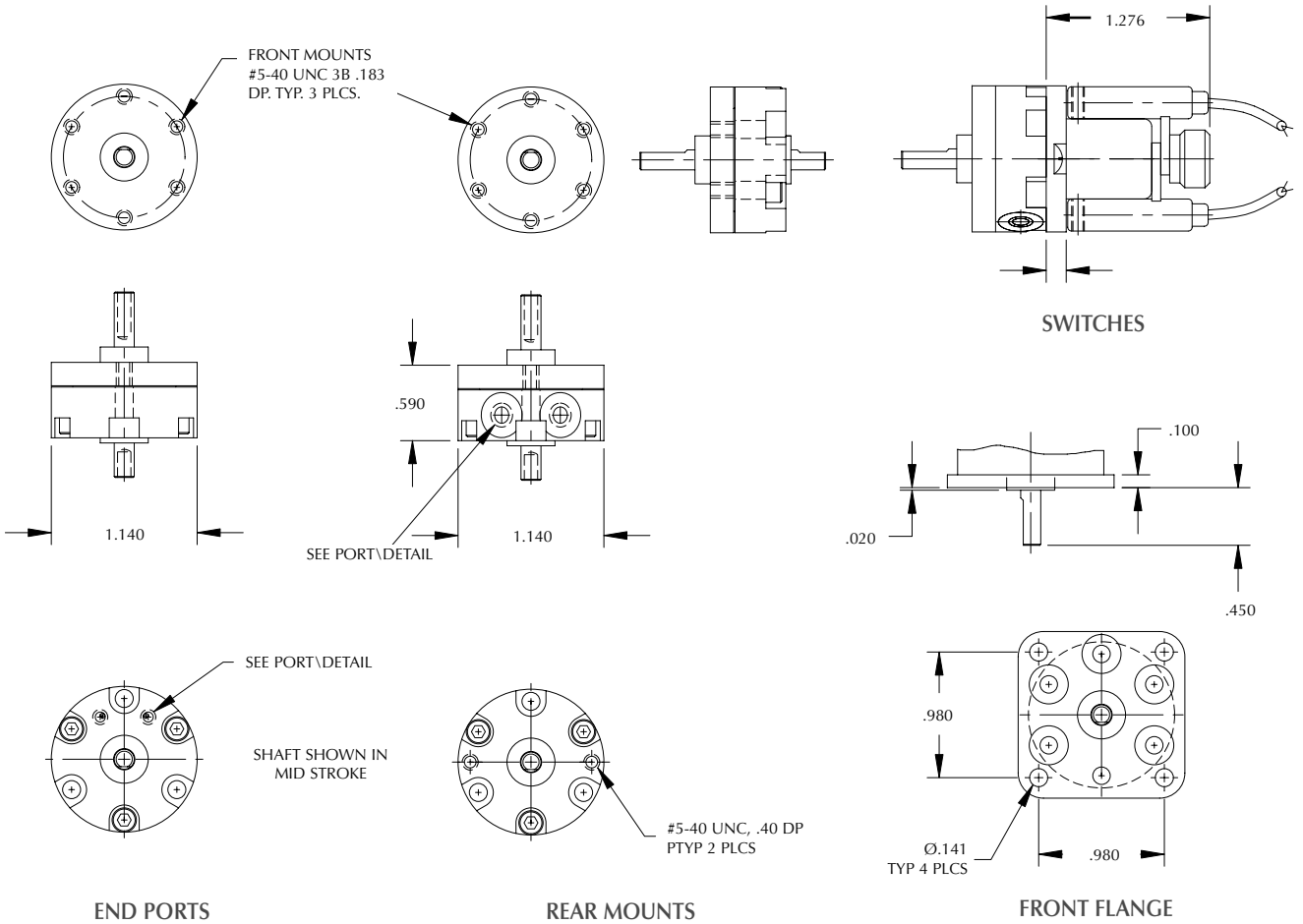
Lubrication
 Factory lubricated

Materials
 Housing Teflon® Impregnated
 Hard Anodized Aluminum
 Shaft & Trim....Stainless Steel
 SealsUrethane
 BearingsRulon®

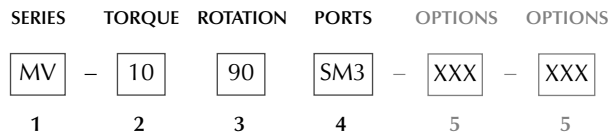
Filtration
 Air25-50 microns
 Leak rates4 cfm or less@100psi

Loads
 Side & Thrust16.0 oz.
 Weight0.86 oz.

Dimensional Data



How to Order: Micro-Vane



1

Series	
MV	Micro-Vane

2

Torque	
1	One Inch Pound

3

Rotation	
90	Rotation
180	Rotation
270	Rotation

4

Ports	
E	M3 Tapped End Ports
S	10-32 Tapped Side Ports
SM3	M3 Tapped Side Ports

5

Options	
100	Flange
Switch Options	
A00	Switch Pkg. - No Switches
A02	Switch Pkg. - 2 Reed switches
A05	Switch Pkg. - 2 Sourcing switches
A08	Switch Pkg. - 2 Sinking Switches